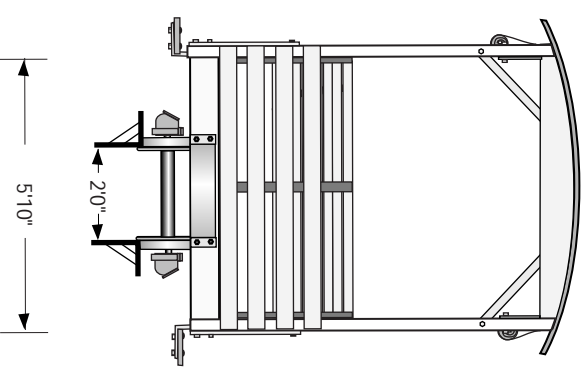
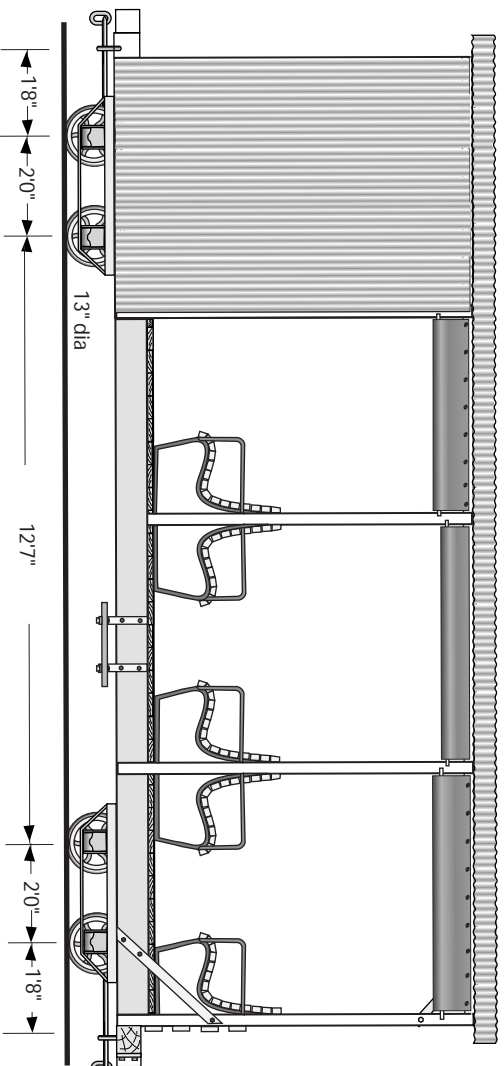
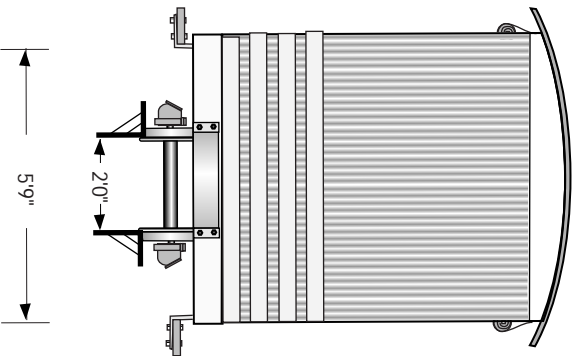


Galvanised iron sides, ends & roof
Open slat seats



MORETON SUGAR MILL (Nambour)

SHORT WORK CAR

Measured August 1962

Scale 1/4 inch = 1foot 1 : 48

drawn by Jim Falnges 2005
digitised April 2006